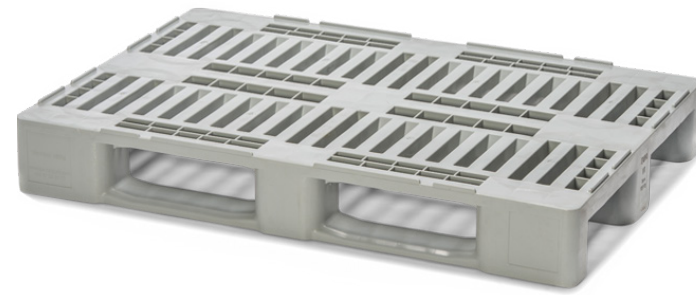


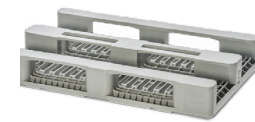
Pallet H1

The standard hygienic pallet with open top deck

The H1 is used successfully in the food industry for 20 years. It is made from food-grade HDPE and resists as well to cold storage till -40°C as to temperatures up to 70°C. Depending on the application, the pallet is offered with locator blocks, ribs and open or closed runners. In its base version, the pallet is compatible with E1 to E4 Euro plastic containers (400x600). The H1 pallet is also available in the H1-F format suitable for nestable fish crates (400x600 and 400x800).



Bottom support



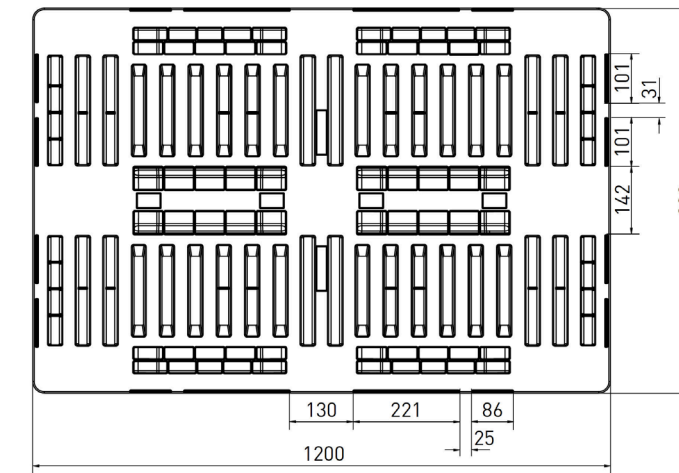
3 Runners [3R]

Deck options

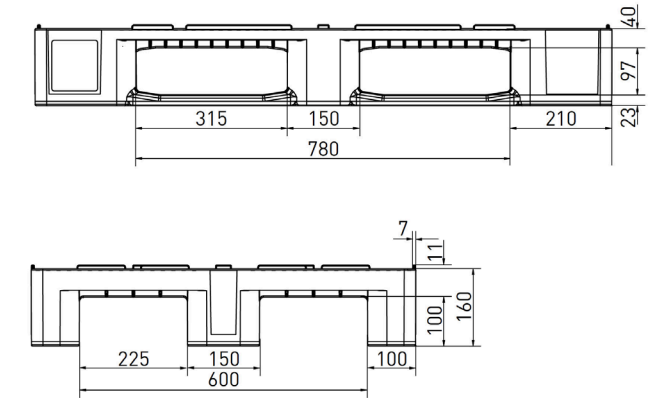


Open deck [OD]

Pallet H1



sizes in mm



Technical data

Article number	Bottom support	Upper deck	Dimensions [mm]	Load capacity			Weight [kg] HDPE
				Static	Dynamic	Racking	
Pallet H1 [OD-3R]	3 runners	open deck	1200 x 800 x 160	3400	1700	1000	18,0

Entry: 4 ways Nesting height: - Safety rim: 11 mm

Options

Color other colors on request

Anti-slip Safety rim (standard), central locator blocks, blocks for nestable fish crates [H1-F1]

ESD prevention

